

LEVINA LIGHT

5225PJP075L51-10

EAN 4031582477061

Swivel castor with wheel brake, Housing made of glass-filled Polyamide, with blind hole fitting. Wheel centre made of Polypropylene, Tread: TENTEprene (thermoplastic rubber), grey non-marking, precision ball bearing



BETTER MOBILITY. BETTER LIFE.

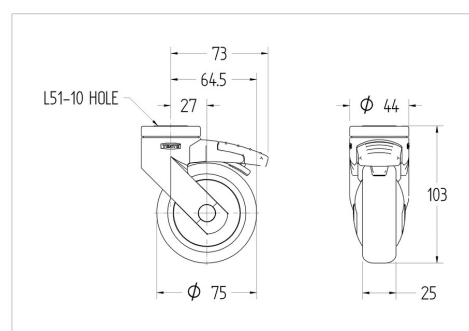


Picture may differ from original product

Technical Data

| | |
|---------------------|----------------|
| Wheel diameter | 75 mm |
| Wheel width | 25 mm |
| Centre hole | 10 mm |
| Offset | 27 mm |
| Swivel Interference | 146 mm |
| Overall height | 103 mm |
| Temperature | - 10 / + 40 °C |
| Standard | EN_12530 |
| Weight | 0.178 kg |
| Swivel Radius | 73 mm |
| Hardness of tread | Shore A 87 |
| Load capacity | 75 kg |

Dimensions



Advantages at a glance

| | |
|----------------------|-----------|
| Roll performance | ● ● ● ○ ○ |
| Movement noise | ● ● ● ● ○ |
| Attrition | ● ● ● ○ ○ |
| Corrosion resistance | ● ● ● ● ○ |